

somerdata

specialist surveillance and datacomms solutions

New Products

November 2011

In This Issue

■ *R2D4 – High speed data capture*

Features

- Grooming
- Switching
- De-multiplexing
- Recording

Contact Us

Website
www.somerdata.com

Email
sales@somerdata.com

To stop receiving return to
Unsubscribe with 'optout' in
the message header

High-speed Data Capture Card

Somerdata introduces the R2D4 PCI express data capture card for use with high speed optical telecoms data.

R2D4 provides real-time capture and decoding of STM1 and STM-4 telecoms traffic on a PC.

1 STM-4 622Mbps or 2 STM-155Mbps Streams can be captured and demuxed to lower container levels. The card automatically detects Virtual Container levels and can be set to present them to the host platform. High-speed DMA transfers minimise processor loading allowing other processes to run for further analysis, routing, recording etc. Data can be processed as a raw bitstream, devolved to Virtual Containers or to Content level (DS3, E1, T1 etc)

GPL licensed Linux driver code ensures simple integration into existing professional data analysis platforms and offers the flexibility of customisation and optimisation with existing code.

R2D4 supports the capture STM-4/OC12 622.08 M bits/s data via SC connectors.

R2D4 supports the capture of dual STM-1/OC3 155.52 M bits/s data via SC connectors.

R2D4 provides input data transfer of complete STM-4/STM-1 data frames as raw or framed data.

R2D4 supports high-speed DMA transfers to standard PC. Individual bitstreams are available for processing or storing-to-disk as Virtual Containers at all levels.

R2D4 supports bi-directional serial LVDS transfers to 600Mbit/s via RJ-45 connector.

R2D4 for high speed capture, intercept, grooming and analysis.

R2D4 Applications

Fault-finding and monitoring

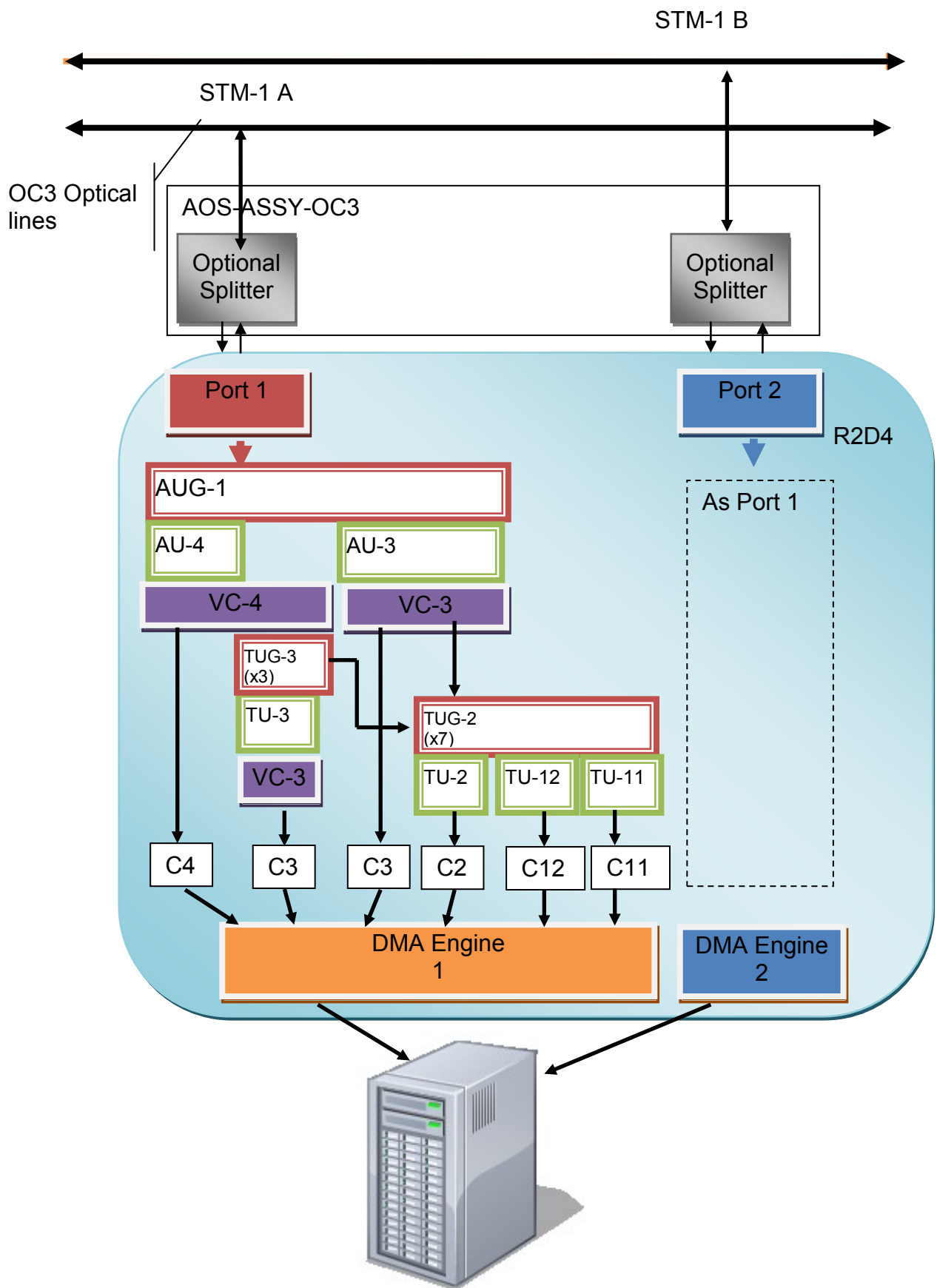
Call routing and Traffic statistic management.

Content inspection

Signalling and out of band analysis.

Long-term recording

STM Hierarchy



somerdata

1 Riverside Business Park
St Annes Road, Bristol
BS4 4ED, UK

Phone: +44 (0)1179 634050

E-mail: sales@somerdata.com

Website: www.somerdata.com