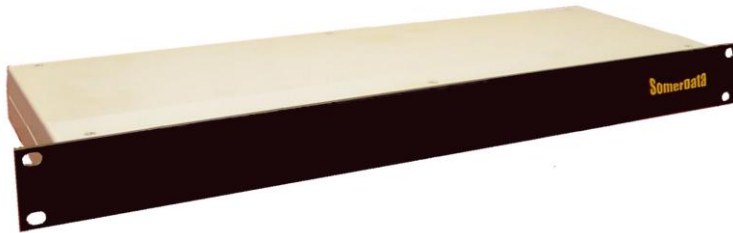


E1SS-1080 E1 G.703 Digital Splitter

1:8 way Splitter for E1 G.703 Streams



E1SS-1080 creates eight identical outputs from a single E1 G.703 bitstream.

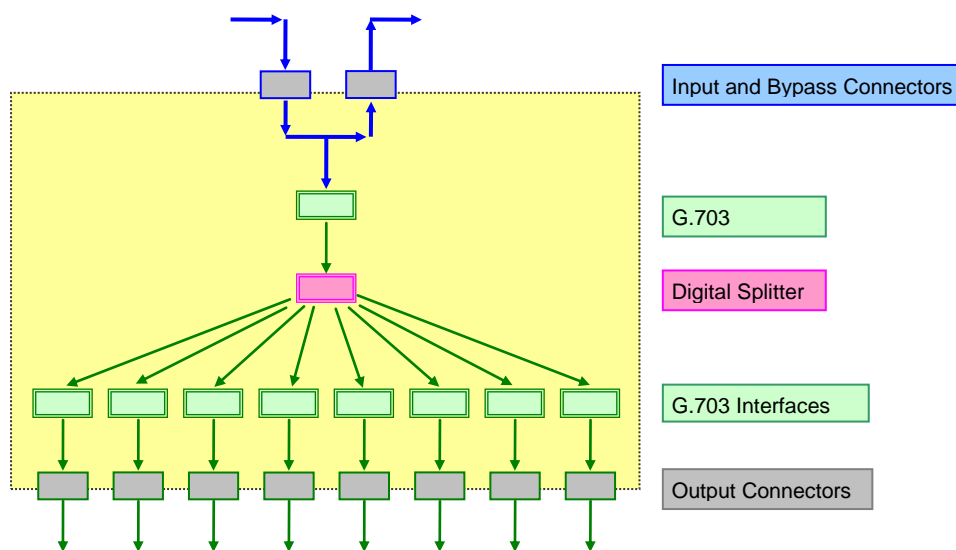
The source stream connection is made through two BNC connectors that are hard-wired in parallel and the original bitstream passes-through the Splitter without any in-line circuitry or delay.

Monitoring, recording and other equipment can be connected or disconnected at the outputs without disturbing the source bitstream, even when the Splitter is unpowered.

For compatibility with primary rate E1 Telecoms data, E1SS-1080 signal input/output interfaces incorporate ITU G.703 compatible receivers/drivers; common-mode line chokes; over-voltage protection and isolation transformers.

The unit is AC powered and supplied in a 1U rackmount case.

E1SS-1080 is part of the DRSS product range, which also includes a programmable Router for E1, monitoring and recording applications.



somercdata

1 Riverside Business Park
St Annes Road
Bristol
BS4 4ED

Phone: +44 (0)179 634050

Fax: +44 (0)1173 302929

E-mail: sales@somercdata.com

Website: www.somercdata.com

Specifications

Input

Signal Interface
E1 compatible with ITU G.703

Input impedance
40 kΩ without supplied external terminator
75 Ω with supplied external terminator fitted to the bypass BNC connector

Input amplitude
±2.37 V ±10% nominal, to -12dB
±5 V maximum

Pulse width
230 ns to 260 ns

Input jitter tolerance
14UI @ 750Hz
0.4UI, 10kHz to 100kHz

Output

Signal Interface
E1 compatible with ITU G.703

Output impedance
75 Ω

Output amplitude
±2.37 V ±10%

Pulse width
244 ns nominal

Output jitter attenuation
10dB/decade from 10Hz
Meets the requirements of ITU G.736 and I.431

Input to Output Delay
Minimum: 1 μs
Maximum: 16 μs
Typical: 8 μs

Status Indicators

Power
Signal presence

Input/Output Connections

Data
BNC
AC Power
3-pin IEC

Power

Supply
85V –264V, 47Hz - 63Hz, universal input

Physical

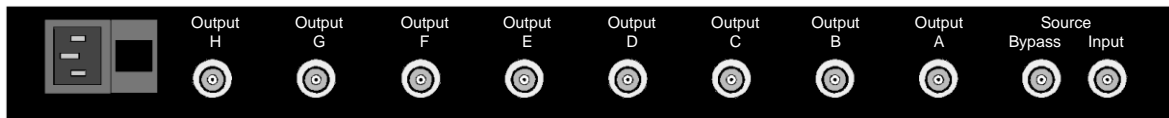
1U rackmount chassis
Dimensions
482mm x 105mm x 44mm
Weight
1.6kg

Environmental

Temperature
0°C to 70°C
Relative Humidity
5% to 95% non-condensing



DRSS-1080 Front Panel



DRSS-1080 Rear Panel