

# EDDT *DAB Splitter/Buffer*



***DAB Multiplex  
ETI/NA & ETI/NI  
Signal Splitter with  
Buffered Monitor  
Outputs***

*EDDT Splitter/Buffer* provides a means of non-intrusively monitoring or recording DAB Ensemble Transport Interface (ETI) bitstreams without loading the original signals.

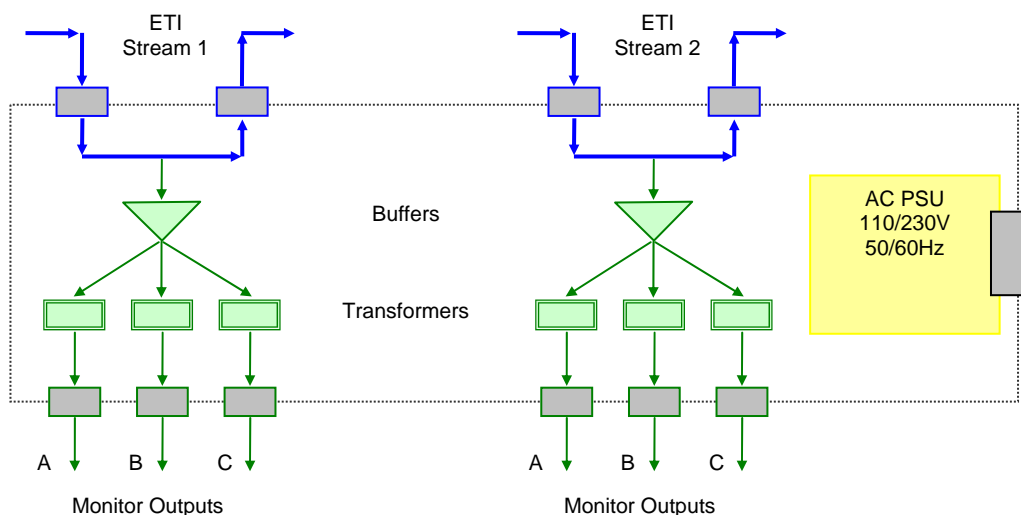
The ETI connections are made through two BNC connectors that are hard-wired in parallel. This means that the live ETI bitstream passes-through the Splitter/Buffer without any in-line curcuity or delay.

For monitoring, the ETI bitstream is fed into high-impedance buffers. Three transformer-coupled 75 Ohm monitor outputs are provided on BNC connectors.

Monitoring and recording equipment can be connected or disconnected without disturbing the live ETI bitstream. The design ensures that there is no interruption of the ETI bitstream when the Splitter/Buffer is unpowered.

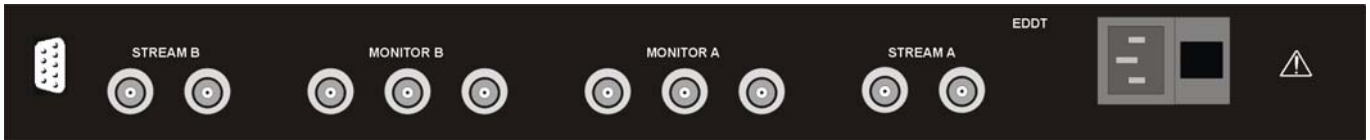
Front panel LED indicators provide status display of power and signal presence for each monitor output. TTL Signal Presence outputs are available for remote status monitoring.

*EDDT* is supplied in a 1U rackmount case and supports two independent ETI bitstreams.





Front Panel



Rear Panel

## Specifications

### Line Interface

#### Signal

ITU G.703, 2,048 kbits/s

#### Line Code

HDB3

#### Data Type

ETI/NA (G.704) and ETI/NI (G.703)

#### Signal Amplitude

Operating:  $\pm 2.37V$  (nominal)

Absolute Maximum: -5V (lower limit)

+5V (upper limit)

#### ETI Connection

Two BNC connectors per ETI stream

hard-wired in parallel

75 $\Omega$  unbalanced input/output

Note that there are no terminating devices in the line interface

### Unpowered performance

#### Crosstalk

Better than -64dB

#### Residual output

Better than -35dB

#### Input signal loading

Less than 0.1dB

### Power

#### Supply

85V -264V, 47Hz - 63Hz, universal input

#### Connector

3-pin IEC

### Splitter/Buffer

#### Monitor Outputs

Three BNC connectors per ETI stream

#### Input Impedance

1500 $\Omega$

#### Monitor Output Impedance

75 $\Omega$  unbalanced

#### Monitor Output Level

2 x Input Level (unloaded)

Unity Gain (Loaded)

#### Monitor Output Signal Presence Indicators

LED indicators

$\pm 1.2V$  p-p signal detection threshold

TTL status outputs via 9-pin connector

#### Monitor Output Isolation

Transformer coupled

1500V RMS AC breakdown

### Physical

1U rackmount chassis

#### Dimensions

482mm x 260mm x 44mm

#### Weight

2kg

### Environmental

#### Temperature

0°C to 70°C

#### Relative Humidity

5% to 95% non-condensing



EDDT is Compatible with SomerData DABSTOR range of DAB Recorder/Replayer/Monitor products.