

DRSS-4040 *DAB/DMB Digital Router*



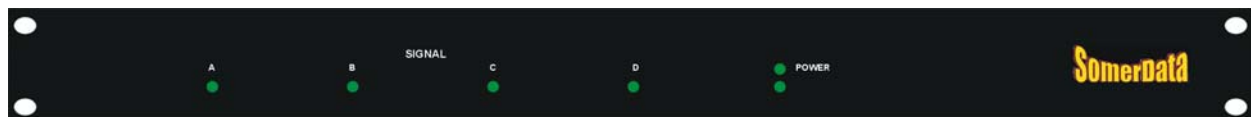
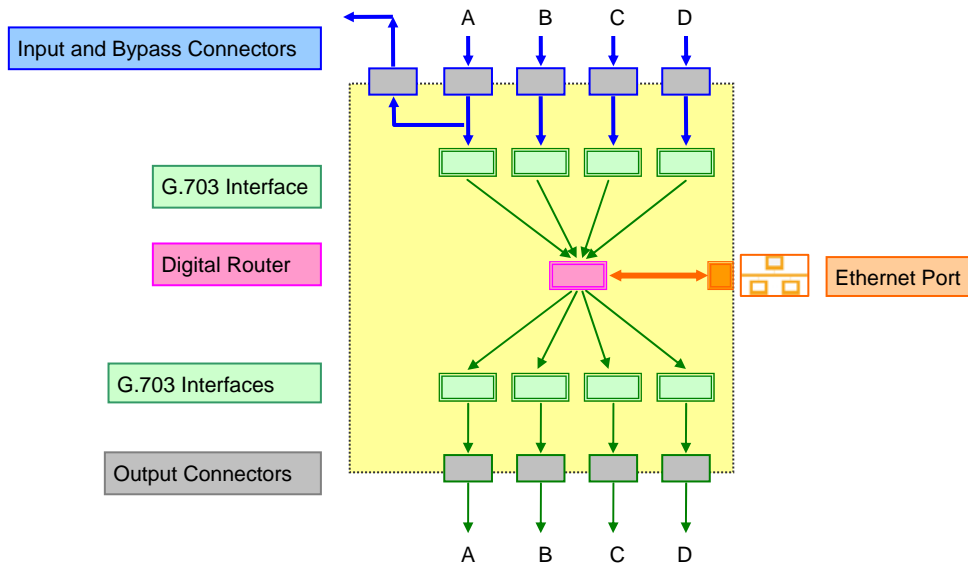
**4 x 4 way Router for
DAB & DMB
Multiplex Streams**

DRSS-4040 is a programmable 4 x 4 Router for routing, splitting and switching DAB & DMB Multiplex bitstreams. For compatibility with the DAB Ensemble Transport Interface specifications, DRSS signal input/output interfaces incorporate ITU G.703 compatible receivers/drivers; common-mode line chokes; over-voltage protection and isolation transformers.

Any of four input streams can be routed to any one of four outputs, including Splitter and Switch functionality.

The unit is AC powered and supplied in 1U rackmount cases.

DRSS-4040 is part of the DRSS product range, which also includes a 1:8 *Splitter* for DAB & DMB Multiplex distribution, monitoring and recording applications.



Front Panel

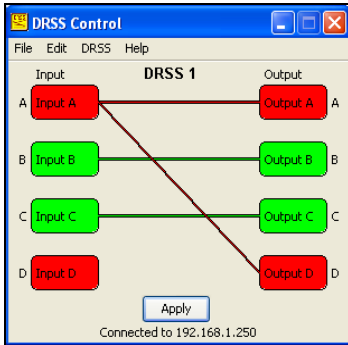


Rear Panel

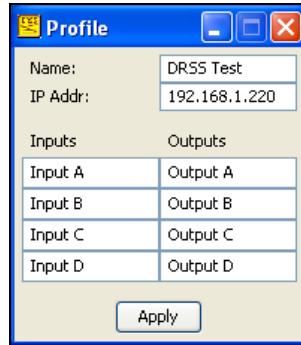
Control and Status

The DRSS Controller software provides graphical mapping control with the ability to save, edit and load stream mapping. Using the Profile editor, each DRSS-4040 can be given a user-defined *friendly* name and Input/Output stream labels.

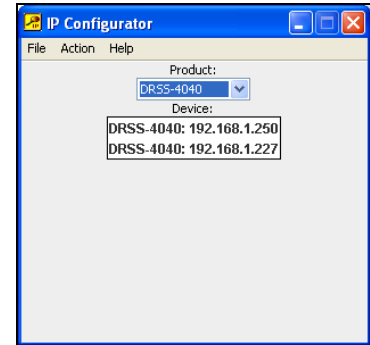
Also supplied is SomerData's *IP Configurator* administration utility program that can be used to identify connected DRSS-4040 units and change their IP addresses.



Mapping, Signal Detection and Connection status



Profile Editor with user-defined *friendly* Unit name and Input/Output Stream Labels



List connected DRSS-4040 units and change IP addresses using the *IP Configurator* administration utility

Specifications

Input

Signal Interface

ETI or STI compatible with ITU G.703

Input impedance

Stream A

40 k Ω without supplied external terminator
75 Ω with supplied external terminator fitted to the parallel BNC connector

Stream B, Stream C, Stream D

75 Ω

Input amplitude

± 2.37 V $\pm 10\%$ nominal, ± 5 V maximum

Pulse width

230 ns to 260 ns

Input jitter tolerance

14UI @ 750Hz
0.4UI, 10kHz to 100kHz

Control and Status

Indicators

Power
Signal presence

Remote Control & Status

DRSS Controller and IP Configurator software

Input/Output Connections

Data

BNC

AC Power

3-pin IEC

Output

Signal Interface

ETI or STI compatible with ITU G.703

Output impedance

75 Ω

Output amplitude

± 2.37 V $\pm 10\%$

Pulse width

244 ns nominal

Output jitter attenuation

10dB/decade from 10Hz

Input to Output Delay

2 μ s (min) to 20 μ s (max)

Power

Supply

85V -264V, 47Hz - 63Hz, universal input

Physical

1U rackmount chassis

Dimensions

482mm x 105mm x 44mm

Weight

2kg

Environmental

Temperature

0°C to 70°C

Relative Humidity

5% to 95% non-condensing